

APV Homogeniser Pilot 4T

COMPACT HOMOGENISER OFFERS VERSATILITY TO PILOT OR SMALL-SCALE LIQUIDS PRODUCTION

SPX FLOW's new APV Pilot 4T homogeniser offers new versatility for batch or continuous operation in a wide range of low-capacity applications. It is available for pump, single and two-stage homogenization in pilot or small-scale production.

Stand-out features include three-plunger design and integrated variable speed drive, which enables smooth operation across the industry's broadest range of flow and pressure parameters.

The Pilot 4T's compact design and proven performance are the results of many years of homogenizer design and applications experience. It is ideal for dairy, food, beverage, personal care and many other applications that can benefit from controlled low-flow rate operation. A modular component design makes it easy to configure for new products and recipes.

Its rugged construction features a monoblock liquid end made from high-grade duplex stainless steel and high-efficiency hard-wearing tungsten carbide, Stellite or ceramic homogenising valves. The Pilot 4T is designed for CIP and SIP and features 3A construction and standard FDA product contact materials.

Control options range from manual to touchscreen PLC with an interface to plant control systems, enabling remote operation.



BENEFITS

- Easy integration with your process or skid
- Simple interface for manual or automated control
- Integrated variable speed drive provides smooth and flexible operation over a range of flow rates
- Three-plunger design enhances flow stability
- Modular design scales from lab to continuous production
- Direct drive transmission reduces maintenance
- Integrated controls eases installation and reduces cost

STANDARD OPTIONS

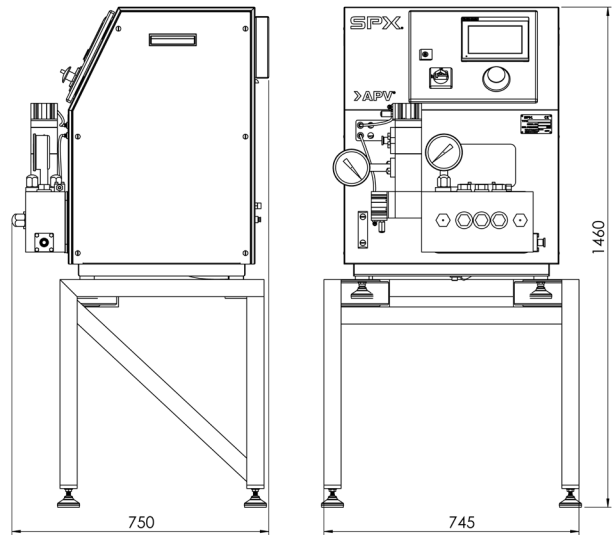
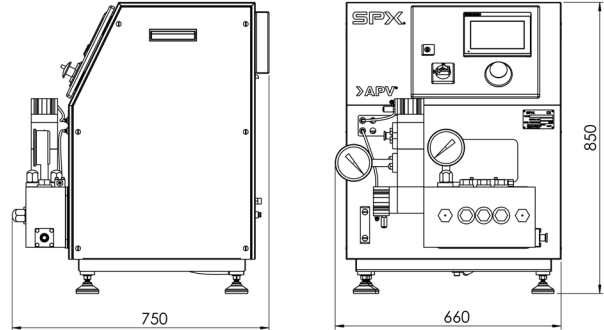
- Homogeniser or pump
- Single or two-stage
- Manual or automatic control (PLC)
- Allen Bradley or Siemens PLC with touchscreen
- Aseptic design
- High-pressure discharge connection
- Inlet pressure gauge
- Second-stage pressure gauge
- Choice of materials for pump and homogenizing valves
- Plunger lubrication control package
- Pedestal stand

SPECIAL OPTIONS

- Discharge relief valve
- Documentation packages for material traceability, certification, and cGMP support

PILOT 4T CAPACITIES

| TYPE | METRIC UNITS CAPACITY RANGE PRESSURE | | US UNITS CAPACITY RANGE PRESSURE | |
|----------|---|-----|---------------------------------------|-------|
| | LPH | BAR | GPH | PSI |
| 4T 13.38 | 20 – 135 | 600 | 5.2 – 35.7 | 8,700 |
| 4T 18.38 | 50 – 300 | 400 | 13.2 – 79.3 | 5,800 |
| 4T 24.38 | 90 – 600 | 210 | 23.8 – 158.5 | 3,000 |



TECHNICAL SUMMARY

| GROSS WEIGHT | 395 KG 870 LB |
|----------------------------|---|
| NET WEIGHT | 275 KG 610 LB |
| NO OF PLUNGERS | 3 |
| CONNECTIONS | 20 MM 3/4" TRI=CLAMP |
| LUBRICATION WATER FLOWRATE | 80 (30*) LPH 21 (8*) GPH * SERIAL LUBRICATION OPTION |
| COOLING WATER FLOW RATE | N/A |
| POWER | 4 KW 5.4 HP |
| DIMENSIONS (L X W X H) | |
| STANDARD MACHINE | 750 X 660 X 850 MM 30 X 26 X 34" |
| MOUNTED ON FRAME | 750 X 745 X 1460 MM 30 X 29.5 X 58" |
| PACKED IN CRATE | 1360 X 1050 X 1300 MM 54 X 41 X 51" |
| PACKED VOLUME | 1.9 M3 |

Note-all images are for indication only – some options may not be supplied as standard

SPXFLOW®

SPX FLOW, Stanisława Jana Rolbieskiego 2, 85-862 Bydgoszcz, Poland

P: (+48) 52 566 76 00

For more information contact E: leads@spxflow.com

SPX FLOW, Inc. reserves the right to incorporate our latest design and material changes without notice or obligation.

Design features, materials of construction and dimensional data, as described in this bulletin, are provided for your information only and should not be relied upon unless confirmed in writing. Please contact your local sales representative for product availability in your region. For more information visit www.spxflow.com.

The green "s" and "x" are trademarks of SPX FLOW, Inc.

ISSUED 04/2021

APV-3180-GB

COPYRIGHT © 2021 SPX FLOW